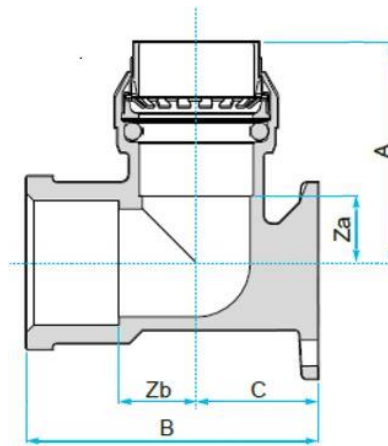


Material	Brass CW602N
O-Ring	Nitrile
Cartridge ring	Stainless steel 304
Grab ring	Stainless steel 316
Alignment ring	Acetal
Disconnecting ring	Acetal
Working pressure.	-0.95 to 20 bar
Operating temperature	-20 to 65 °C



WWMN15



Wall bracket

Art. No.	Type No.	Thread	For tube O.D.	A	B	C	Za	Zb
			mm	mm	mm	mm	mm	mm
117088	WWMN15	G 1/2	15	35.0	45.0	20.0	12.0	11.0
117089	WWMN22	G 3/4	22	42.0	57.0	24.0	13.0	15.0